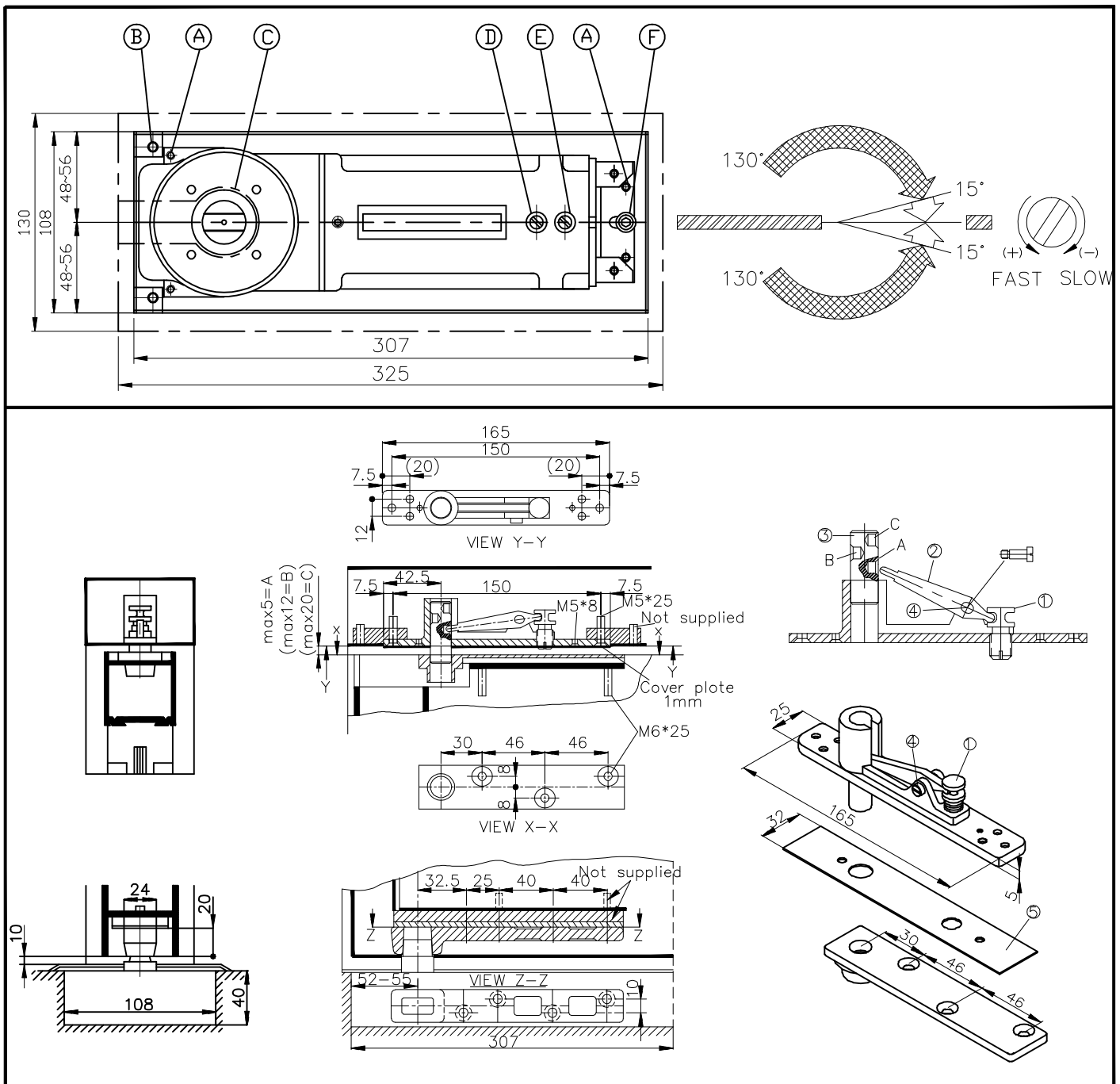


FIXING INSTRUCTION FOR DOUBLE ACTION FLOOR HINGE



1. Preparation:

Mill or route door and frame to accept relevant top center parts.

2. Top Center - frame portion:

To change the extended "THROW" of pivot pin (3) proceed as follows

- Unscrew shoulder screw (4), turn adjustment screw (1) counter clockwise until pivot pin (3) and rocker arm (2) can be removed.
- Select the desired hole in pivot pin (3), A, B or C, and reassemble in same sequence.
- Maximum "THROW" is achieved with rocker arm (2) in position C

3. Locate Floor Hinge:

- Make recess in floor for cement case, fit Floor Hinge in position.
- Ensure spindle aligns with pivot pin in frame
- Take dust plate (C) from coverplate, place it over spindle before hanging door.

4. Installation of door:

- Open door properly to reveal adjustment screw of pivot pin.
- Turn screw counter clockwise until pin fully engages with pivot in door.

5. Adjustment of clearance between hinge jamb and door stile:

- Loosen screws (F) and (B).

6. Adjustment of door height:

- Loosen screws (B), (F), and adjust screw (A).

7. Centering door:

- Loosen screws (B) and (F).

8. Adjustment of closing speed:

- Two regulating valves (D) and (E).
- (D) decrease closing speed.
- (E) increase closing speed.
- Valve (D): controlled closing range 130° - 15°.
- Valve (E): controlled closing range 15° - 0°.

9. Lock coverplate:

- Using 3 screws provided.